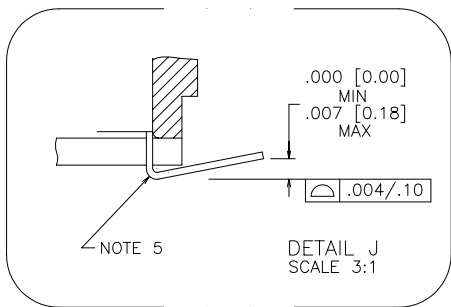
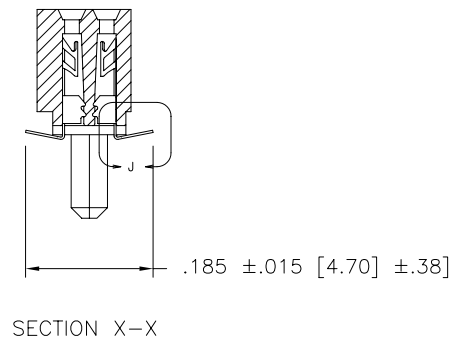
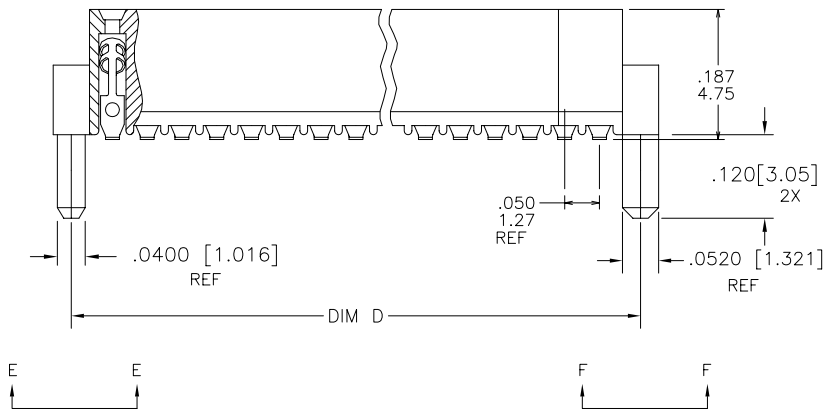
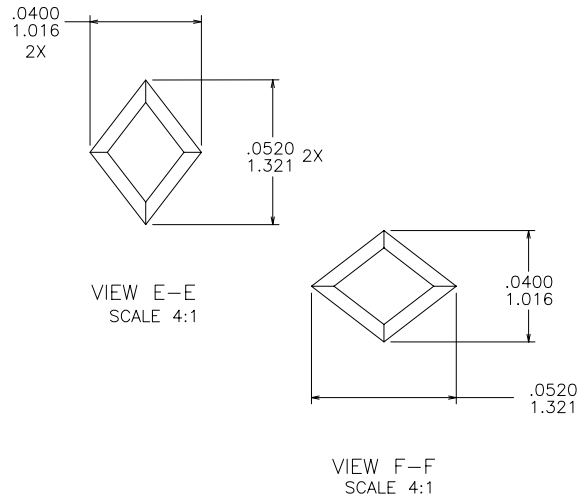
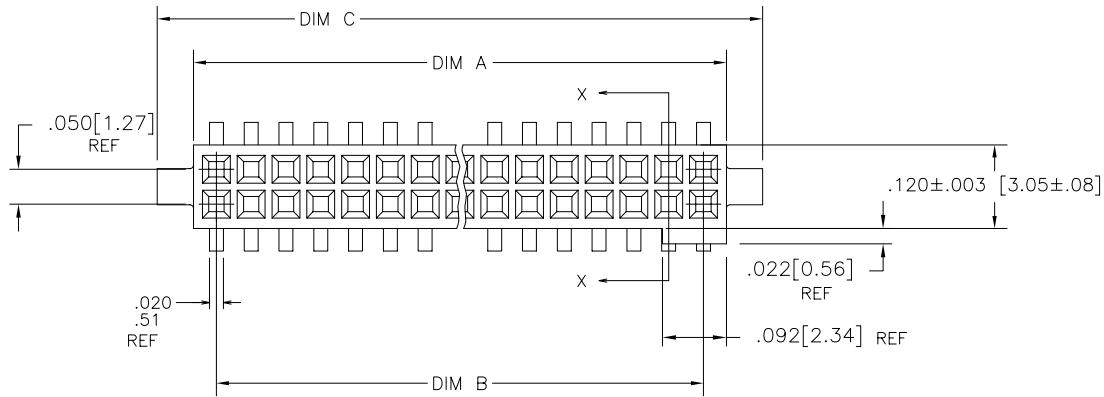


PRODUCT NUMBER
SEE TABLE



mat'l. code		surface		tolerance		projection		product family	
-		ISO 1302 ✓		ISO 406 ISO 1101				RIB CAGE	
tolerances unless otherwise specified		angles		linear		INCH/MM		title	
ltr	ecn no	dr	date			$xx \pm .01/3$ $xxx \pm .005/.13$.050/1.27cc V.C.C. SURFACE MOUNT W/POL/HOLD DOWN	
P	V10994	DLW	3/09/01			scale 4:1		dwg no	
R	V11674	CRG	6/22/01					sheet 1 of 3 size	
S	M05-0123	ERE	6/10/05	$\sigma \pm 2'$				87471 A3	
T	M06-0123	ERE	7/27/06	dr	J. MUSTARD	3/25/91			
U	M07-0053	MHT	1/22/07	enr	M. HAHN	3/25/91			
V	M07-0267	MHT	6/08/07	chr	G. GINGRICH	3/25/91			
W	M07-0345	AGS	7/26/07	appd	M. HAHN	3/25/91			
sheet	revision	W	W	W					
index	sheet	1	2	3					
type		Product	Customer	Drawing					

FCI
FCIconnect.com

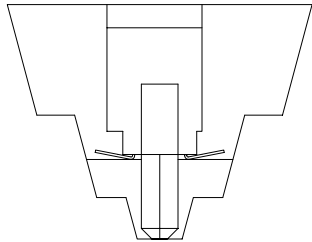
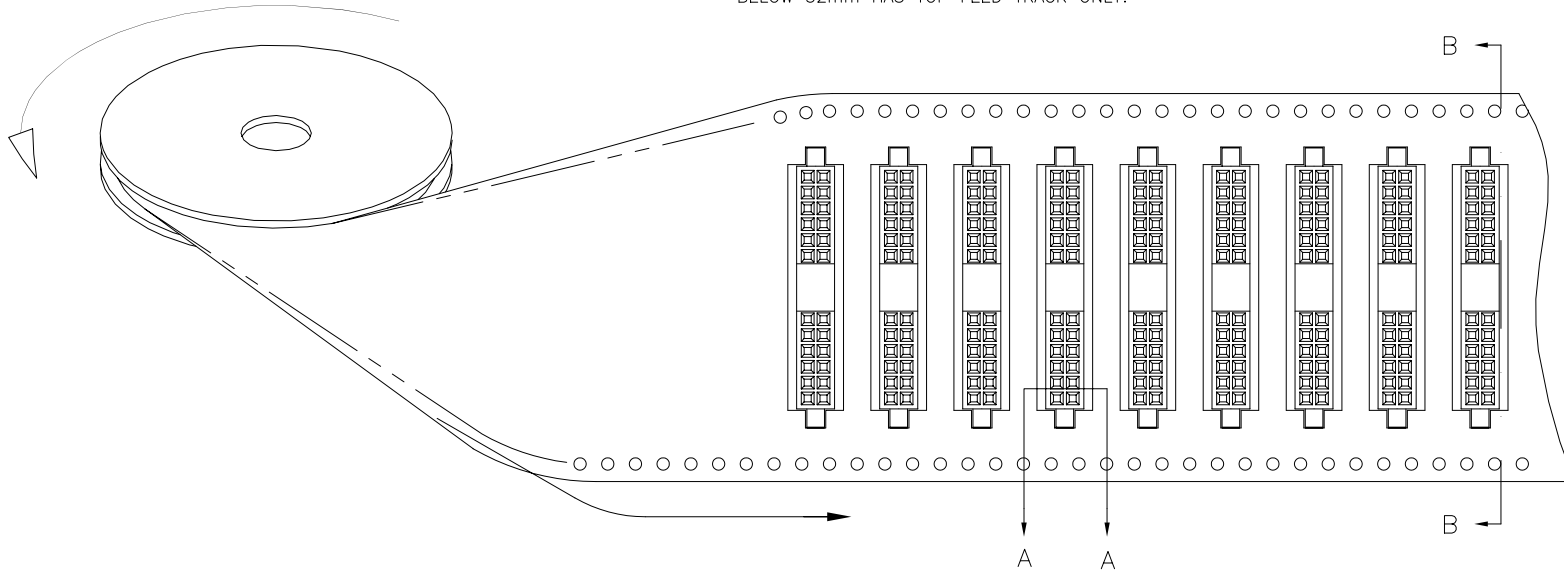
Copyright FCI

PRODUCT NUMBER
SEE TABLE

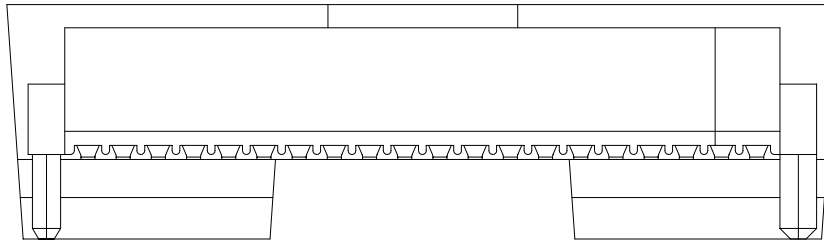
UNREELING
DIRECTION

REFERENCE ONLY

TAPE WIDTH'S 32mm AND ABOVE HAS BOTH FEED TRACKS,
BELOW 32mm HAS TOP FEED TRACK ONLY.



SECTION A-A



SECTION B-B



FCIconnect.com

Copyright FCI

mat'l. code NOTE 1 & 2		surface ISO 1302 ✓	tolerance ISO 406 ISO 1101	projection ⊕	product family RIB CAGE
ltr	ecn no	dr	date	title	
W				.050/1.27cc V.C.C. SURFACE MOUNT W/POL/HOLD DOWN	
		angles	linear	INCH/MM	
		0°±2'	xxx ±.01/3 xxx ±.005/.13 xxxx ±.0020/.050	scale 4:1	
		dr	J. MUSTARD 3/25/91	FCI	
		enr	M. HAHN 3/25/91	dwg no 87471 sheet 3 of 3 size A3	
		chr	G. GINGRICH 3/25/91	type Product Customer Drawing	
		appd	M. HAHN 3/25/91		
sheet index	revision sheet				